

NEW!

New Product! Seal Head Assembly



Seal Head Assy, Part #20481005

The KMT Seal Head Assembly has been improved to withstand the tremendous pressure fluctuations associated with water intake and high pressure intensification up to 60,000psi.

Precision Designed for Increased Pressures

KMT Waterjet Systems has developed the New Seal Head Assembly with similar engineering design and materials used in the KMT Streamline PRO 90,000psi seal head assembly.

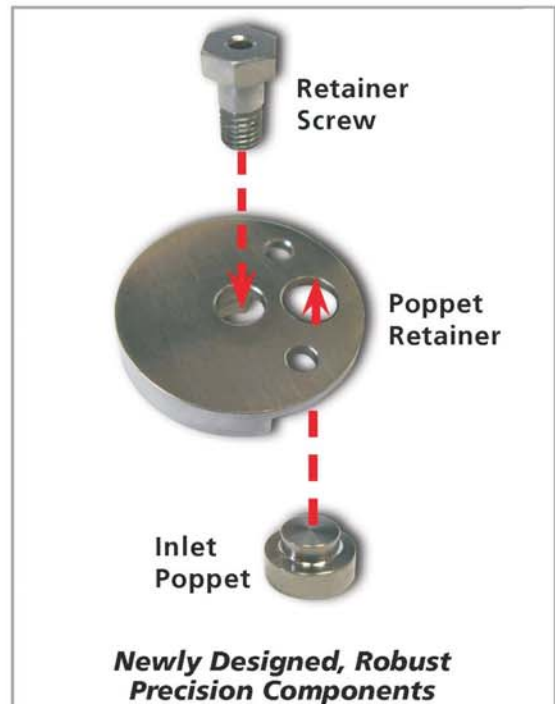
The New KMT Waterjet Seal Head Assembly offers a more robust inlet check valve area utilizing a large single water stream intake hole that is strengthened to withstand the continual fluctuations to over 60,000psi. The Retainer Screw, Poppet Retainer and Inlet Poppet are designed to ensure extended check valve assembly life.

The improved Inlet Check Valve will provide a longer Seal Head Assembly life by incorporating the new design.

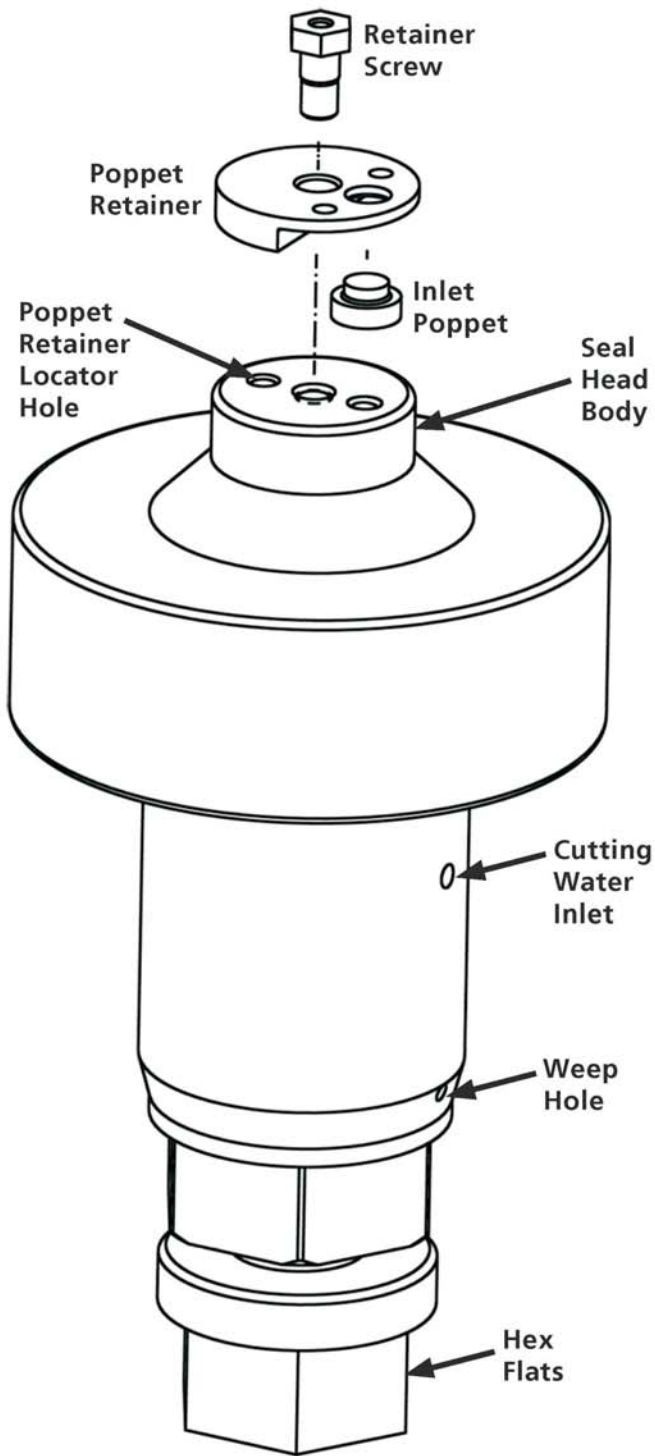
Features

- Incorporates design technology and similar components used in the Streamline™ PRO 90,000psi
- Enlarged water Intake hole
- Reinforced area between discharge and inlet hole
- Universal Inlet Poppet covers the full range of 60,000psi units---no changing of inlet poppets based on operating pressure required!

The current KMT Discharge check valve components are the same. The New Seal Head Body will retrofit into any hard seal end cap (HSEC) pump with 7/8" plunger (hp cylinder liner change is required - 20481574). *New Seal Head Body not available for 1-1/8" plunger models.*



KMT 60,000psi Intensifier Topworks



New Design
Seal Head Assy. Part #20481005

